

LIQUID FILLED GAUGES 200S SERIES

FEATURES

- Stainless steel case and bezel
- Brass internals and connection
- Low temp, silicone filled (-50 to 150 F)
- 3-2-3 % accuracy on 1-1/2" & 2" dial
- 1.5% accuracy on 2-1/2" dial (1% by request only)
- 1% accuracy on 4" & 6" dial

AVAILABLE DIAL SIZES

- 1-1/2", 2", 2-1/2", 4", 6"

AVAILABLE CONNECTION SIZES

- 1/8" MNPT on 1-1/2" & 2"
- 1/4" MNPT on 2-1/2" & 4"
- 1/2" MNPT on 4" & 6"



201S



202S

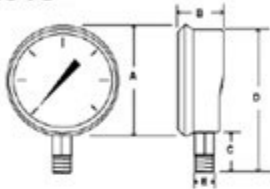


203S



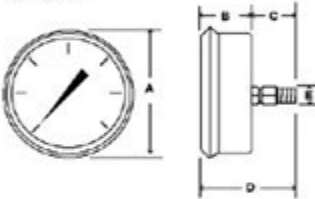
204S

201S



	1 1/2"	2"	2 1/2"	4"	6"
A	1.88"/48mm	2.24"/57mm	2.80"/71mm	4.32"/110mm	6.54"/166mm
B	1.06"/27mm	1.27"/32mm	1.28"/33mm	1.63"/42mm	1.70"/43mm
C	.89"/23mm	.71"/23mm	1.07"/27mm	1.25"/32mm	1.68"/43mm
D	2.77"/58mm	2.80"/71mm	3.55"/90mm	5.57"/141mm	8.22"/210mm
E	1/4" NPT	1/4" or 1/2" NPT	1/4" NPT	1/4 or 1/2 npt	

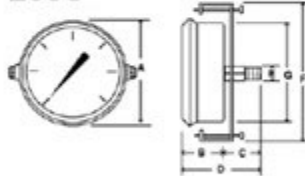
202S



	1 1/2"	2"	2 1/2"	3 1/2" *	4"	6"
A	1.88"/48mm	2.23"/57mm	2.80"/71mm	3.82"/97mm	4.32"/110mm	6.54"/166mm
B	1.06"/27mm	1.09"/28mm	1.28"/33mm	1.16"/29mm	1.63"/42mm	1.70"/43mm
C	.89"/23mm	.71"/23mm	1.18"/30mm	1.06"/27mm	1.14"/29mm	1.68"/43mm
D	1.95"/50mm	1.99"/51mm	2.46"/63mm	2.22"/56mm	2.77"/71mm	3.38"/86mm
E	1/8npt	1/8 or 1/4npt	1/4mnpt	1/4mnpt		

* 3 1/2" Dial Size = Lower Back Mount Connection

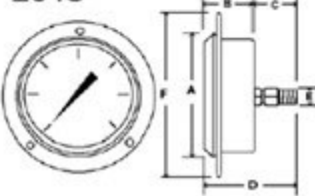
203S



	1 1/2"	2"	2 1/2"	3 1/2" *	4"
A	1.88"/48mm	2.23"/57mm	2.80"/71mm	3.82"/97mm	4.32"/110mm
B	1.06"/27mm	1.09"/28mm	1.28"/33mm	1.16"/29mm	1.63"/42mm
C	.89"/23mm	.71"/23mm	1.19"/30mm	1.06"/27mm	1.14"/29mm
D	1.95"/50mm	1.99"/51mm	2.46"/63mm	2.22"/56mm	2.77"/71mm
E	1/8npt	1/8 or 1/4npt	1/4mnpt	1/4mnpt	1/4mnpt
F	2.63"/67mm	3.00"/76mm	3.49"/89mm	3.77"/96mm	5.30"/135mm
G	1.63"/42mm	2.00"/51mm	2.50"/64mm	3.49"/88mm	3.87"/98mm

* 3 1/2" Dial Size = Lower Back Mount Connection

204S



	1 1/2"	2"	2 1/2"	3 1/2" *	4"	6"
A	1.88"/48mm	2.23"/57mm	2.80"/71mm	3.82"/97mm	4.32"/110mm	6.54"/166mm
B	1.06"/27mm	1.09"/28mm	1.28"/33mm	1.16"/29mm	1.63"/42mm	1.70"/43mm
C	.89"/23mm	.71"/23mm	1.18"/30mm	1.06"/27mm	1.14"/29mm	1.68"/43mm
D	1.95"/50mm	1.99"/51mm	2.46"/63mm	2.22"/56mm	2.77"/71mm	3.38"/86mm
E	1/4" NPT	1/4" or 1/2" NPT	1/4" NPT	1/4mnpt		
F	2.46"/63mm	2.81"/72mm	3.48"/88mm	5.19"/132mm	5.20"/132mm	7.78"/198mm
G	1.63"/42mm	2.00"/51mm	2.50"/64mm	3.49"/88mm	3.87"/98mm	6.02"/153mm

* 3 1/2" Dial Size = Lower Back Mount Connection

201S GAUGE (LIQUID FILLED, BOTTOM MOUNT)

SPECIFICATIONS:

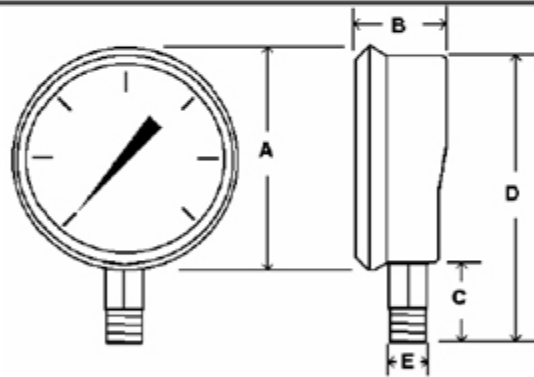
- **Dial Sizes:** 1 1/2", 2", 2 1/2", 4", 6"
- **Connection Sizes:** (with built-in snubber)
1/8"MNPT on 1 1/2" and 2"
1/4"MNPT on 2", 2 1/2" and 4"
1/2"MNPT on 4" and 6"
- **Stainless Steel Case And Bezel**
- **Brass Internals and Connection** (with built in snubber)
- **Phosphor Bronze Bourdon Tube**
- **Plastic Lens**
- **Liquid Filled (Dry Available)**
- **Accuracy :** 1 1/2" or 2"Dial Size = 3-2-3 %
2 1/2"Dial Size = 1.5 %
4" or 6"Dial Size = 1 %
- **Dual Scale: PSI & Bar (x100=kPa)**
Single Scale available from stock
- **Ambient temperature:** FILLED: 30°F to 160°F
DRY: -30°F to 180°F



**Low Temp, Silicone Filled
(-50 to 150 F)**

RANGE	CODE	Major in	Minor in
30/0"VAC	A	5	0.5
30/0/15	CB	5	0.5
30/0/30	CC	10	1
30/0/60	CD	10	1
30/0/100	CE	20	2
30/0/150	CF	20	2
30/0/300	CH	50	10
0/15	B	2	0.2
0/30	C	5	0.5
0/60	D	10	1
0/100	E	20	2
0/160	F	20	2
0/200	G	40	4
0/300	H	50	5
0/400	I	50	5
0/500	J	100	10
0/600	K	100	10
0/800	L	100	10
0/1000	M	200	20
0/1500	N	200	20
0/2000	O	400	50
0/3000	P	500	50
0/4000	Q	500	50
0/5000	R	1000	100
0/6000	S	2000	200
0/10,000	U	2000	200
0/15,000	V	2000	200

Some ranges not available in all dial sizes, please call with your particular application



		A	B	C	D	E
1 1/2" Dial	In	1.88	1.06	.89	2.77	1/8"
	MM	48	27	23	58	NPT
2" Dial	In	2.24	1.27	.71	2.80	1/8" or
	MM	57	32	23	71	1/4" NPT
2 1/2" Dial	In	2.80	1.28	1.07	3.55	1/4"
	MM	71	33	27	90	NPT
4" Dial	In	4.32	1.63	1.25	5.57	1/4" or
	MM	110	42	32	141	1/2" NPT
6" Dial	In	6.54	1.70	1.68	8.22	1/4" or
	MM	166	43	43	210	1/2" NPT

202S GAUGE (LIQUID FILLED, REAR MOUNT)

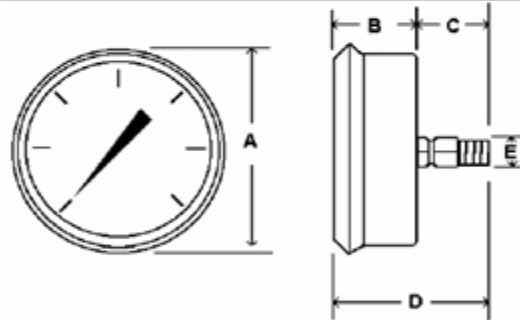
SPECIFICATIONS:

- **Dial Sizes:** 1 ½", 2", 2 ½", 3 ½", 4"
- **Connection Sizes:** (includes built-in snubber)
1/8"MNPT on 1 ½" and 2"
1/4"MNPT on 2", 2 ½", 3 ½" and 4"
- **Stainless Steel Case And Bezel**
- **Brass Internals & Connection**
- **Phosphor Bronze Bourdon Tube**
- **Plastic Lens Standard (Glass Available)**
- **Liquid Filled (Dry Available)**
- **Accuracy :** 1 ½" and 2" Dial = 3-2-3 %
2 ½" Dial Size = 1.5 %
3 ½" and 4" Dial Size = 1 %
- **Dual Scale: PSI & Bar (x100=kPa)**
Single Scale available from stock
- **Ambient temperature:** FILLED: 30°F to 160°F
DRY: -30°F to 180°F



**Low Temp, Silicone Filled
(-50 to 150 F)**

RANGE	CODE	Major In	Minor inc.
30/0"VAC	A	5	0.5
30/0/15	CB	5	0.5
30/0/30	CC	10	1
30/0/60	CD	10	1
30/0/100	CE	20	2
30/0/150	CF	20	2
30/0/300	CH	50	10
0/15	B	2	0.2
0/30	C	5	0.5
0/60	D	10	1
0/100	E	20	2
0/160	F	20	2
0/200	G	40	5
0/300	H	50	5
0/400	I	50	5
0/600	K	100	10
0/1000	M	200	20
0/1500	N	200	20
0/2000	O	400	50
0/3000	P	500	50
0/5000	R	1000	100
0/10,000	U	1000	100
0/15,000	V	2000	200



		A	B	C	D	E
1 ½"	In	1.88	1.06	.89	1.95	1/8"
	Dial MM	48	27	23	50	NPT
2"	In	2.23	1.09	.71	1.99	1/8" or
	Dial MM	57	28	23	51	1/4"npt
2 ½"	In	2.80	1.28	1.18	2.46	1/4"
	Dial MM	71	33	30	63	NPT
3 ½"	In	3.83	1.14	1.08	2.20	1/4"
	Dial MM	97	29	27	56	NPT
4"	In	4.32	1.63	1.14	2.77	1/4"
	Dial MM	110	42	29	71	NPT

203S GAUGE (LIQUID FILLED, PANEL MOUNT)

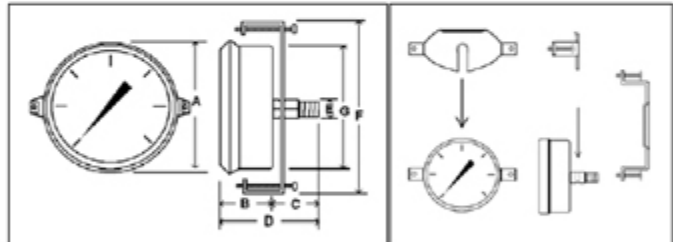
SPECIFICATIONS:

- **U-Clamp Panel Mount Design**
- **Dial Sizes:** 1 1/2", 2", 2 1/2", 3 1/2", 4"
- **Connection Sizes:**
1/8"MNPT on 1 1/2" and 2"
1/4"MNPT on 2", 2 1/2", 3 1/2" and 4"
- **Stainless Steel Case And Bezel**
- **Brass Internals & Connection** (with built-in snubber)
- **Phosphor Bronze Bourdon Tube**
- **Plastic Lens standard (Glass Available)**
- **Liquid Filled (Dry Available)**
- **Accuracy :** 1 1/2" or 2"Dial Size = 3-2-3 %
2 1/2"Dial Size = 1.5 %
3 1/2" or 4"Dial Size = 1 %
- **Dual Scale: PSI & Bar (x100=kPa)**
Single Scale available from stock
- **Ambient temperature:** FILLED: 30°F to 160°F
DRY: -30°F to 180°F



**Low Temp, Silicone Filled
(-50 to 150 F)**

RANGE	CODE	Major In	Minor inc.
30/0"VAC	A	5	0.5
30/0/15	CB	5	0.5
30/0/30	CC	10	1
30/0/60	CD	10	1
30/0/100	CE	20	2
30/0/150	CF	20	2
30/0/300	CH	50	10
0/15	B	2	0.2
0/30	C	5	0.5
0/60	D	10	1
0/100	E	20	2
0/160	F	20	2
0/200	G	40	5
0/300	H	50	5
0/400	I	50	5
0/600	K	100	10
0/1000	M	200	20
0/1500	N	200	20
0/2000	O	400	50
0/3000	P	500	50
0/5000	R	1000	100
0/10,000	U	1000	100
0/15,000	V	2000	200



		A	B	C	D	E	F	G
1 1/2"	In	1.88	1.06	.89	1.95	1/8"	2.63	1.63
	MM	48	27	23	50	Npt	67	42
2"	In	2.23	1.09	.71	1.99	1/8" or	2.81	2.00
	MM	57	28	23	51	1/4"npt	72	51
2 1/2"	In	2.80	1.28	1.19	2.46	1/4"	3.48	2.50
	MM	71	33	30	63	Npt	88	64
3 1/2"	In	3.83	1.14	1.08	2.20	1/4"	3.70	3.5
	MM	97	29	27	56	Npt	94	89
4"	In	4.32	1.63	1.14	2.77	1/4"	5.20	3.87
	MM	110	42	29	71	Npt	132	98

Note: All Dial Gauge S are Center Back Connection Except 3 1/2" Dial Size which are Lower Back Connection

204S GAUGE (LIQUID FILLED, PANEL MOUNT)

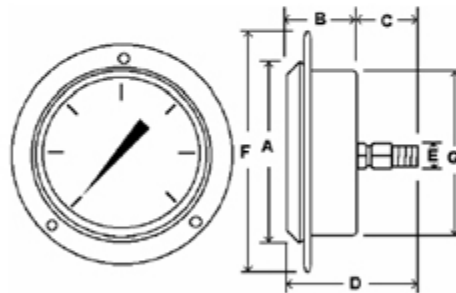
SPECIFICATIONS:

- **Front Flanged Panel Mount Design**
- **Dial Sizes:** 1 ½", 2", 2 ½", 3 ½", 4"
- **Connection Sizes:**
1/8"MNPT on 1 ½" and 2"
1/4"MNPT on 2", 2 ½", 3 ½" and 4"
- **Stainless Steel Case And Bezel**
- **Brass Internals & Connection** (with built-in snubber)
- **Phosphor Bronze Bourdon Tube**
- **Plastic Lens**
- **Liquid Filled (Dry Available)**
- **Accuracy :** 1 ½" or 2"Dial Size = 3-2-3 %
2 ½"Dial Size = 1.5 %
3 ½" or 4"Dial Size = 1 %
- **Dual Scale: PSI & Bar (x100=kPa)**
Single Scale available from stock
- **Ambient temperature:** FILLED: 30°F to 160°F
DRY: -30°F to 180°F



**Low Temp, Silicone Filled
(-60 to 150 F)**

RANGE	CODE	Major In	Minor Inc.
30/0"VAC	A	5	0.5
30/0/15	CB	5	0.5
30/0/30	CC	10	1
30/0/60	CD	10	1
30/0/100	CE	20	2
30/0/150	CF	20	2
30/0/300	CH	50	10
0/15	B	2	0.2
0/30	C	5	0.5
0/60	D	10	1
0/100	E	20	2
0/160	F	20	2
0/200	G	40	5
0/300	H	50	5
0/400	I	50	5
0/600	K	100	10
0/1000	M	200	20
0/1500	N	200	20
0/2000	O	400	50
0/3000	P	500	50
0/5000	R	1000	100
0/10,000	U	1000	100
0/15,000	V	2000	200



		A	B	C	D	E	F	G
1 ½"	In	1.88	1.06	.89	1.95	1/8"	2.46	1.63
	Dial MM	48	27	23	50	Npt	63	42
2"	In	2.23	1.09	.71	1.99	1/8" or	2.81	2.00
	Dial MM	57	28	23	51	¼"npt	72	51
2 ½"	In	2.80	1.28	1.19	2.46	1/4"	3.48	2.50
	Dial MM	71	33	30	63	Npt	88	64
3 ½"	In	3.83	1.14	1.08	2.20	1/4"	5.19	3.5
	Dial MM	97	29	27	56	Npt	132	89
4"	In	4.32	1.63	1.14	2.77	1/8" or	5.20	3.87
	Dial MM	110	42	29	71	¼"Npt	132	98

Note: All Gauge sizes are Center Back Connection Except 3 ½" which are Lower Back Connection