

ALL STAINLESS STEEL, LIQUID FILLED GAUGES 300S SERIES

FEATURES

- Stainless steel case and bezel
- 316SS internals and connection
- Connection welded to case
- Low temp, silicone filled (-50 to 150 F)
- 3-2-3 % accuracy on 1-1/2" & 2-1/2" dial
- 1% accuracy on 4" & 6" dial

(1% accuracy available on 2-1/2" dial by special request only)

AVAILABLE DIAL SIZES

- 1-1/2", 2", 2-1/2", 4", 6"

AVAILABLE CONNECTION SIZES

- 1/4" MNPT on 2-1/2" & 4"
- 1/2" MNPT on 4" & 6"



301S



302S

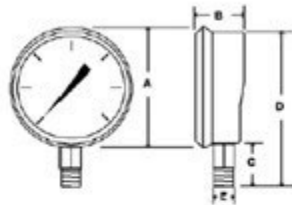


303S



304S

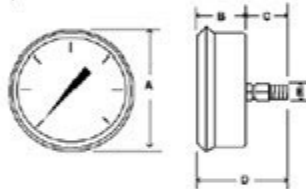
301S



	2 1/2"	4"	6"
A	2.8"	4.35"	6.5"
B	1.23"	1.28"	1.7"
C	1"	1.475"	1.41"
D	3.63"	5.75"	3.05"
E	.5"	.8"	1/4" or 1/2"

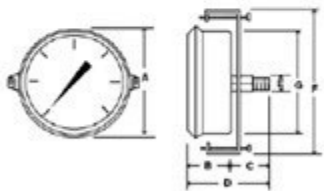
302S

(4" Dial Size = Lower Back Connected & removable Bezel)



	1 1/2"	2 1/2"	4"
A	1.7"	2.8"	4.37"
B	1.1"	1.23"	1.71"
C	.875"	1.1"	1.41"
D	2"	2.35"	3.05"
E	.55"	.5"	1/4" or 1/2"

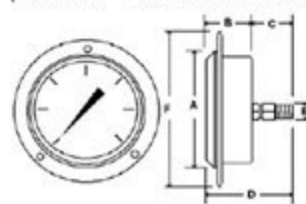
303S



	1 1/2"	2 1/2"	4"
A	1.73"	2.8"	
B	1.05"	1.23"	
C	.825"	1.1"	
D	1.8"	2.38"	
E	.375"	.5"	
F			
G	1.56"	2.45"	

304S

(4" Dial Size = Lower Back Connected & removable Bezel)



	1 1/2"	2 1/2"	4"
A	1.73"	2.8"	4.37"
B	1.05"	1.23"	1.71"
C	.825"	1.1"	1.41"
D	1.8"	2.38"	3.05"
E	.375"	.5"	1/4" or 1/2"
F		3.43"	5.22"
G	1.56"	2.45"	3.90"

301S GAUGE

(ALL STAINLESS STEEL, LIQUID, BOTTOM MOUNT)

SPECIFICATIONS:

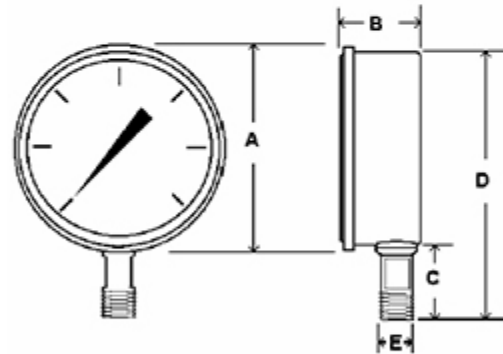
- Available Dial Sizes: 2 1/2", 4", 6"
- Available Connection Sizes:
1/4"MNPT on 2", 2 1/2" and 4"
1/2"MNPT on 4" and 6"
- Stainless Steel Case and Crimped Bezel
- SS Internals
- 316 SS Bourdon Tube & Connection
- Connection Welded to Case
- Liquid Filled (Dry Available)
- Accuracy : 2 1/2" Dial Size = 1.5 %
4" and 6" Dial Size = 1 %
- Dual Scale: PSI & Bar (x100=kPa)
(Single Scale available)
- Ambient temperature: FILLED: 30°F to 160°F
DRY: -30°F to 180°F



**Low Temp,
Silicone Filled
(-50 to 150 F)**

RANGE	CODE	Major In	Minor in
30/0"VAC	A	5	0.5
30/0/15	CB	5	0.5
30/0/30	CC	10	1
30/0/60	CD	10	1
30/0/100	CE	20	2
30/0/150	CF	20	2
30/0/300	CH	50	10
0/15	B	2	0.2
0/30	C	5	0.5
0/60	D	10	1
0/100	E	20	2
0/160	F	20	2
0/200	G	40	4
0/300	H	50	5
0/400	I	50	5
0/500	J	100	10
0/600	K	100	10
0/800	L	100	10
0/1000	M	200	20
0/1500	N	200	20
0/2000	O	400	50
0/3000	P	500	50
0/4000	Q	500	50
0/5000	R	1000	100
0/6000	S	2000	200
0/10,000	U	2000	200
0/15,000	V	2000	200

Some ranges not available in all dial sizes, please call with your particular application



		A	B	C	D	E
2 1/2" Dial	In	2.67	1.30	1.04	3.50	1/4"
	MM	68	33	26	89	NPT
4" Dial	In	4.32	1.63	1.25	5.57	1/4" or
	MM	110	42	32	141	1/2"npt
6" Dial	In	6.54	1.70	1.68	8.22	1/4" or
	MM	166	43	43	210	1/2"npt

302S GAUGE (ALL STAINLESS STEEL, LIQUID, BACK MOUNT)

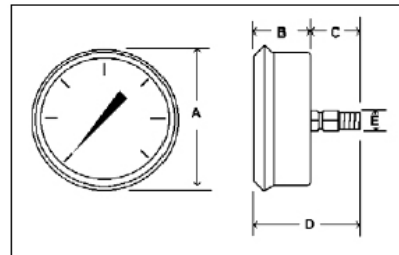
SPECIFICATIONS:

- Available Dial Sizes: 1 ½", 2", 2 ½", 3 ½", 4"
- Available Connection Sizes:
1/8"MNPT on 1 ½" and 2"
1/4"MNPT on 2", 2 ½", 3 ½" and 4"
- Stainless Steel Case And Bezel
- SS Internals & Connection
- Connection Welded at Case
- 316SS Bourdon Tube
- Liquid Filled (Dry Available)
- Accuracy : 1.5 % Full Scale
(Special Accuracy Available Upon Request)
- Dual Scale: PSI & Bar (x100=kPa)
Single Scale available from stock
- Ambient temperature: FILLED: 30°F to 160°F
DRY: -30°F to 180°F



**Low Temp, Silicone Filled
(-50 to 150 F)**

RANGE	CODE	Major In	Minor in
30/0"VAC	A	5	0.5
30/0/15	CB	5	0.5
30/0/30	CC	10	1
30/0/60	CD	10	1
30/0/100	CE	20	2
30/0/150	CF	20	2
30/0/300	CH	50	10
0/15	B	2	0.2
0/30	C	5	0.5
0/60	D	10	1
0/100	E	20	2
0/160	F	20	2
0/200	G	40	5
0/300	H	50	5
0/400	I	50	5
0/600	K	100	10
0/1000	M	200	20
0/1500	N	200	20
0/2000	O	400	50
0/3000	P	500	50
0/5000	R	1000	100
0/10,000	U	1000	100
0/15,000	V	2000	200



		A	B	C	D	E	F	G
1 ½" Dial	In	1.88	1.06	.89	1.95	1/8" NPT	2.63	1.63
	MM	48	27	23	50		67	42
2" Dial	In	2.23	1.09	.71	1.99	1/8" OR 1/4" NPT	2.81	2.00
	MM	57	28	23	51		72	51
2 ½" Dial	In	2.80	1.28	1.19	2.46	1/4" NPT	3.48	2.50
	MM	71	33	30	63		88	64
3 ½" Dial	In	3.83	1.14	1.08	2.20	1/4" NPT	3.70	3.5
	MM	97	29	27	56		94	89
4" Dial	In	4.32	1.63	1.14	2.77	1/4" NPT	5.20	3.87
	MM	110	42	29	71		132	98

Note:

All Dial Size Gauges are Center Back Connection Except 3 ½"
Dial Size which are Lower Back Connection

303S GAUGE (ALL STAINLESS STEEL, LIQUID, PANEL MOUNT)

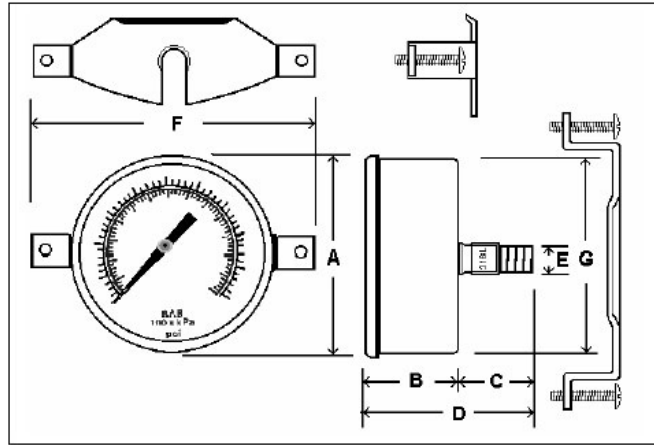
SPECIFICATIONS:

- U-Clamp Panel Mount Design
- Dial Sizes: 2 1/2"
- Connection Sizes: 1/4"MNPT
- Stainless Steel Case And Bezel
- Stainless Steel Internals & Connection
- Connection Welded at Case
- 316SS Bourdon Tube
- Liquid Filled (Dry Available)
- Accuracy : 1.5 % Full Scale
(Special Accuracy Available Upon Request)
- Dual Scale: PSI & Bar (x100=kPa)
- Ambient temperature: FILLED: 30°F to 160°F
DRY: -30°F to 180°F



**Low Temp, Silicone Filled
(-50 to 150 F)**

RANGE	CODE	Major In	Minor in
30/0/VAC	A	5	0.5
30/0/15	CB	5	0.5
30/0/30	CC	10	1
30/0/60	CD	10	1
30/0/100	CE	20	2
30/0/150	CF	20	2
30/0/300	CH	50	10
0/15	B	2	0.2
0/30	C	5	0.5
0/60	D	10	1
0/100	E	20	2
0/160	F	20	2
0/200	G	40	5
0/300	H	50	5
0/400	I	50	5
0/600	K	100	10
0/1000	M	200	20
0/1500	N	200	20
0/2000	O	400	50
0/3000	P	500	50
0/5000	R	1000	100
0/10,000	U	1000	100
0/15,000	V	2000	200



		A	B	C	D	E	F	G
2 1/2" Dial	In	2.70	1.38	1.09	2.50	1/4" NPT	3.79	2.44
	MM	68.75	35	27.75	63.49		96.28	62

304S GAUGE (ALL STAINLESS STEEL, LIQUID, PANEL MOUNT)

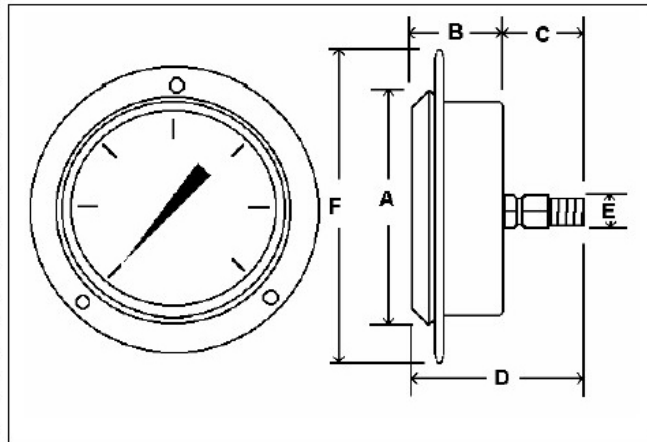
SPECIFICATIONS:

- Front Flanged Panel Mount Design
- Dial Sizes: 2 1/2"
- Connection Sizes: 1/4"MNPT
- Stainless Steel Case And Bezel
- Stainless Steel Internals & Connection
- Connection Welded at Case
- 316SS Bourdon Tube
- Liquid Filled (Dry Available)
- Accuracy : 1.5 % Full Scale
(Special Accuracy Available Upon Request)
- Dual Scale: PSI & Bar (x100=kPa)
- Ambient temperature: FILLED: 30°F to 160°F
DRY: -30°F to 180°F



**Low Temp, Silicone Filled
(-50 to 150 F)**

RANGE	CODE	Major In	Minor in
30/0"VAC	A	5	0.5
30/0/15	CB	5	0.5
30/0/30	CC	10	1
30/0/60	CD	10	1
30/0/100	CE	20	2
30/0/150	CF	20	2
30/0/300	CH	50	10
0/15	B	2	0.2
0/30	C	5	0.5
0/60	D	10	1
0/100	E	20	2
0/160	F	20	2
0/200	G	40	5
0/300	H	50	5
0/400	I	50	5
0/600	K	100	10
0/1000	M	200	20
0/1500	N	200	20
0/2000	O	400	50
0/3000	P	500	50
0/5000	R	1000	100
0/10,000	U	1000	100
0/15,000	V	2000	200



		A	B	C	D	E	F	G
2 1/2"	In	2.80	1.28	1.19	2.46	1/4" NPT	3.48	2.50
	MM	71	33	30	63		88	64