

MANOMETER

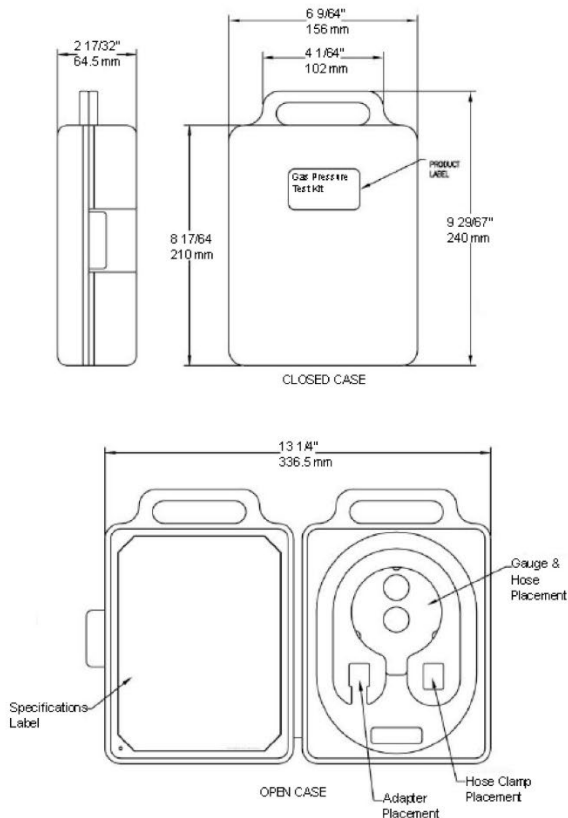
Low pressure test kit for accurate measurement of LP or natural gas
Includes black ABS plastic molded case, hose and fitting for portable testing

SPECIFICATIONS

Part Number	TEST KIT-LP
Dial	2 ½" (63 mm)
Case	Black painted steel, dry non-fillable
Wetted Parts	Copper alloy
Range	0/20 oz X 0/35" wc*
Lens	Plastic, removable twist lock
Pointer	Adjustable, black aluminum
Connection	Adjustment screw at rear of case Gauge = Copper alloy hose barb Hose = Flexible rubber adapter fits multiple pipe sizes from ¼" to ⅝" OD
Scale	Standard: dual scale inches of water column and oz/in ²
Accuracy	2% of span ASME B40.1 Grade B
Ambient Temp	-30° F to 180° F
Hose Tube	3 feet (91 cm) rubber

Design meets or exceeds ASME B40.100 pressure gauge standard.

For gauge dimensions, see page 69.



AVAILABLE OPTIONS*

- Certificate of Accuracy, NIST Traceable
- Custom Dial
- Special Connection Size
- Cleaned for Oxygen Service
- Alternate Pressure/Vacuum Ranges

*Lead times/minimums may apply

APPROXIMATE SHIPPING WEIGHTS/ BOX QUANTITIES

Dial Size	Est. Unit Wt.	Box Qty
2 ½"	1.50 lbs (0.68 kg)	upon request