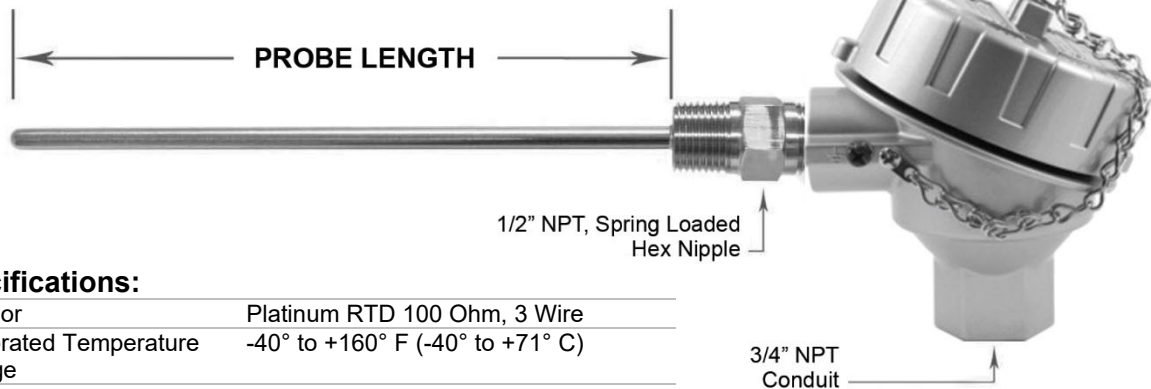


TEMPERATURE TRANSMITTER

Use GaugeZone's Temperature Transmitter to measure temperature in your pipeline. This RTD (Resistance Temperature Detector) is a wire wound device with high accuracy, long term stability, superior interchangeability, and resistance to shock and vibration.

The GaugeZone Temperature Transmitter is specifically designed to work with the latest Sensus FlexNet AMI data gathering systems. The transmitters add additional data points to your system while minimizing data costs. The transmitter has extremely fast response time to work within the parameters of the Sensus FlexNet AMI system and others. The quick response time also minimizes power consumption and extends battery life of the SmartPoint.

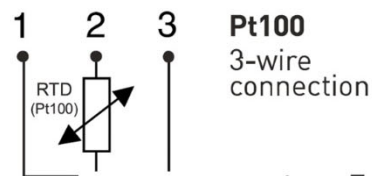
A perfect solution to the growing need for information within your network!



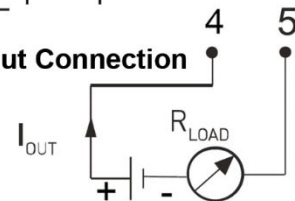
Specifications:

Sensor	Platinum RTD 100 Ohm, 3 Wire
Calibrated Temperature Range	-40° to +160° F (-40° to +71° C)
Typical Accuracy	+/- 0.15% of Temperature Span Linear Temperature Output
Probe	1/4" Diameter, 316 Stainless Steel
Probe/Thermowell Connection	1/2" NPT, 304 Stainless Steel, Spring Loaded Hex Nipple
Power Supply	No External Power Source Required, Loop Powered to Excite Sensor – 6.5 to 32VDC
Output	4-20MA, 2 Wire
Housing/Screw Cover	Rugged Cast Aluminum Explosion Proof Head – FM Approved Class I, DIV I, Groups A/B/C/D, T6 – Class II, III, DIV I, Groups E/F/G, T6
Conduit Connection	3/4" NPT
Environmental	Molded Electronics for High Protection
Operating Temperature	-40° to +185° F (-40° to +85° C)
Typical Probe Lengths	4, 6, or 9 inches

Probe Connection



Output Connection



Part Number: TT-AMI-STD-XXX

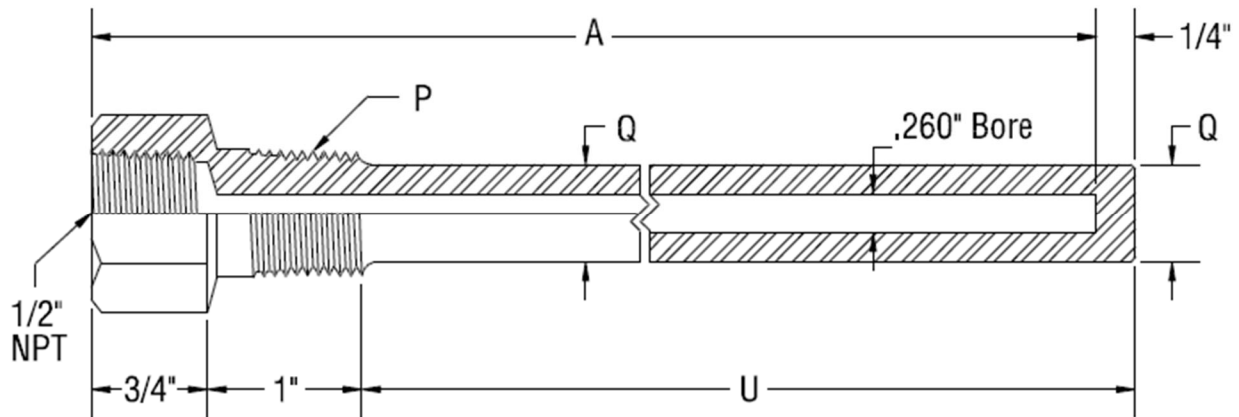
Probe Length: 040 = 4" / 060 = 6" / 090 = 9" / additional lengths available by request

Thermowell + GaugeZone Temperature Transmitter

For a complete package, pair with a thermowell. GaugeZone has all the parts you need!

STANDARD THREADED THERMOWELL

All temperature sensing devices are susceptible to deterioration from exposure to flow, heat, and pressure. Over time, the harsh processing environment can affect performance as well as the structural integrity of the sensor. By adding a thermowell, you protect the GaugeZone Temperature Transmitter probe from the damaging effects of the pipeline and to prevent measurement drift. The standard threaded thermowell is made of 304 stainless steel – other materials are available by request.



External Threaded P	Part Number	Stem Length A	Insert. Length U	Shank Diameter Q
1/2" NPT	TW-5-025	4	2-1/2	1/2
	TW-5-045	6	4-1/2	5/8
	TW-5-075	9	7-1/2	5/8
	TW-5-105	12	10-1/2	5/8
	TW-5-135	15	13-1/2	5/8
	TW-5-165	18	16-1/2	5/8
	TW-5-225	24	22-1/2	5/8
3/4" NPT	TW-7-025	4	2-1/2	1/2
	TW-7-045	6	4-1/2	3/4
	TW-7-075	9	7-1/2	3/4
	TW-7-105	12	10-1/2	3/4
	TW-7-135	15	13-1/2	3/4
	TW-7-165	18	16-1/2	3/4
	TW-7-225	24	22-1/2	3/4
1" NPT	TW-1-025	4	2-1/2	3/4
	TW-1-045	6	4-1/2	7/8
	TW-1-075	9	7-1/2	7/8
	TW-1-105	12	10-1/2	7/8
	TW-1-135	15	13-1/2	7/8
	TW-1-165	18	16-1/2	7/8
	TW-1-225	24	22-1/2	7/8